

Sliding vane vacuum cum pressure pumps with lubrication suitable for..



INQZIN

- pumping slurry, waste oil..
- storm water, agricultural manure...
- viscous fluids, exhausted waste oil etc...



Vane Vacuum cum Pressure Pump

www.inqzin.com

Vane Vacuum cum Pressure Pump (Sludge Vacuum Pump)

• Piping Diagram(Client Scope)

1. Rotary Vane Vacuum Pump
2. Small Primary Trap
3. Large Secondary Trap
4. Dust Filter
5. Horizontal + Vertical Oil Filter cum Collector

• Optional Components

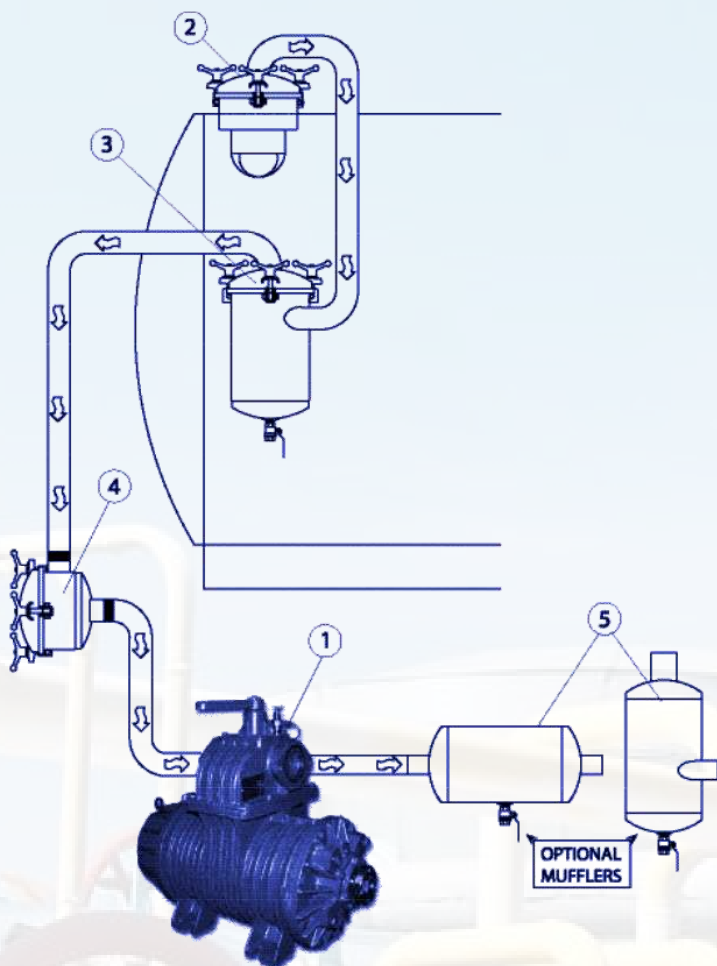
1. MS Frame for mounting
2. Three Way GearBox
3. Pulley/Couple
4. Pressure Gauge, Vacuum Gauge, Relief Valve
5. Traps and Filters

• Features

1. Forced Oil Lubrication
2. In Built Oil Pump
3. Fiber Vanes
4. Wide range of Performance
5. Built in Four Way Valve

• About US

1. Leader in Vacuum Technology.
2. 35+ Years history of Vacuum Pump manufacturing & supplying.
3. Pioneer in oil sealed vacuum pumps.
4. More than 15000 pumps supplied in India and abroad.
5. Support at Design stage for OEM Clients.



Vane Vacuum cum Pressure Pump (Sludge Vacuum Pump)

Model	Power HP	RPM	Flow(max) M3/Hr	Vacuum(inOfHg) max(working)	Pressure BAR(psi)	Weight Kg
SVVP-7.5	7.5	1000	220	27(18)	1.5(22)	~75
SVVP-15	15	1000	520	27(18)	1.5(22)	~150

Mail : info@inqzin.com, Web : www.inqzin.com
Phone : 079-22870373 M.: +91 94264 19038, +91 8264365693

CIN No.: U29199GJ1990PTC014284

INQZIN
SALES & SERVICES PVT. LTD.



L- 604, First Floor, G.I.D.C., Estate, Odhav, Ahmedabad - 382 415. INDIA